

# WENTWORTH

---

**Cabinet:**

Moisture resistant melamine board  
Available in standard and premium finishes  
Available configurations – see specification on following page  
Available on Straight round, square or curved legs.  
Bright chrome 160 T-bar handles  
Soft closing doors  
Varying door front width (depending on vanity configuration)  
Shelves 237mm high x130mm wide x 450mm deep  
No top rail

**Optional extras:**

On kick (895mm cab height)  
Extended wall hung (745mm cab height)  
Standard wall hung (496mm cab height)

**Top:**

Cultured Marble Slab - available in white, ivory and charcoal  
Engineered Stone with Drop in Basin – all colours available



# WENTWORTH

---

## Measurements

Top size	No. Of Doors	No. Of Shelves	Width	Height of Cabinet	Depth on Floor	Weight of Cabinet	Weight, Inc. Stone Top
610X470	1	3	591	895	430	22	41
610X470	1	6	591	895	430	25	44
610X470	1	2	591	496	n/a	21	40
610X470	1	4	591	496	n/a	22	41
760X470	1	6	740	895	430	30	52
760X470	1	4	740	496	n/a	27	49
910X470	1	6	887	895	430	31	57
910X470	2	6	887	895	430	34	60
910X470	2	4	887	496	n/a	29	55
1215x470	2	6	1185	895	430	44	76
1215X470	2	4	1185	496	n/a	36	68
1515x470	4	6	1481	895	430	61	100
1515X470	4	4	1481	496	n/a	48	87
1515x470 DB	4	6	1481	895	430	61	108
1515X470 DB	4	4	1481	496	n/a	48	95

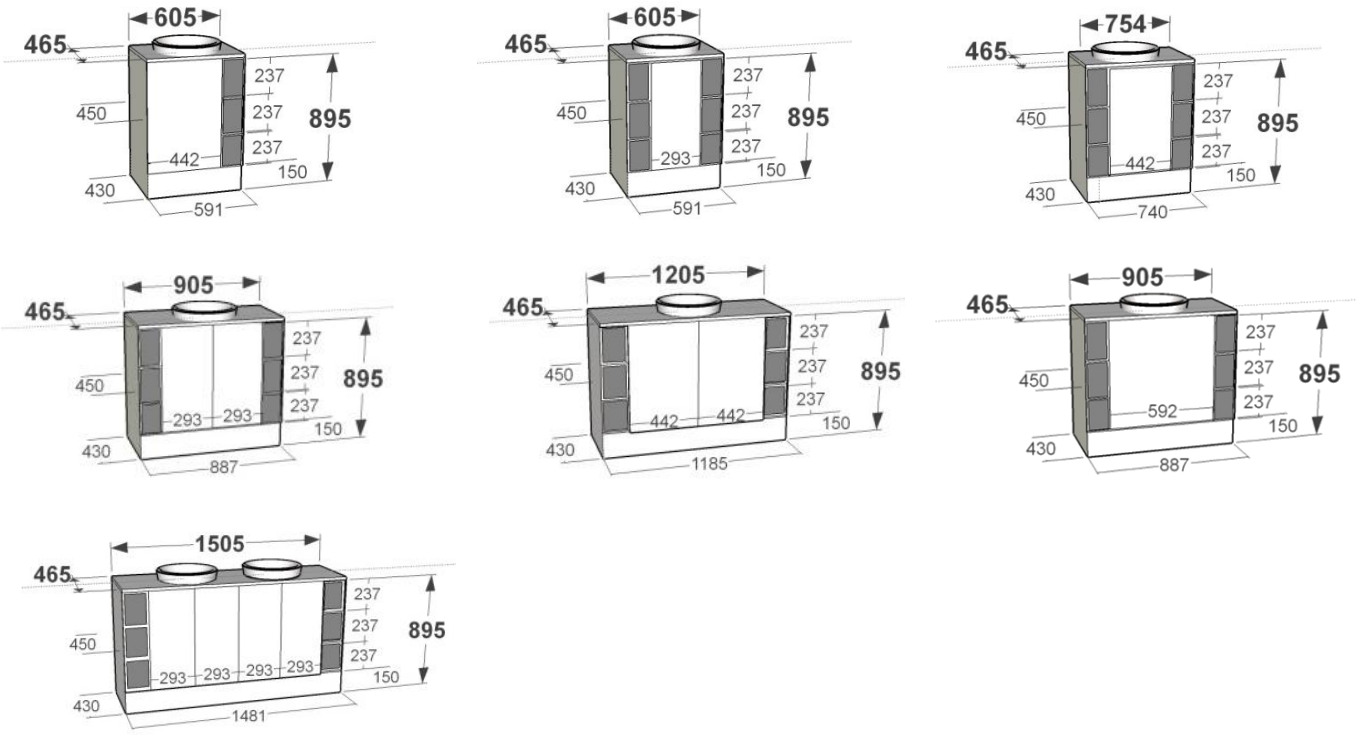
All Measurements in millimetres

All weights in Kilograms

# WENTWORTH

## Available Configuration:

On Kick/ on legs/ Extended wall hung



## Standard Wall Hung

