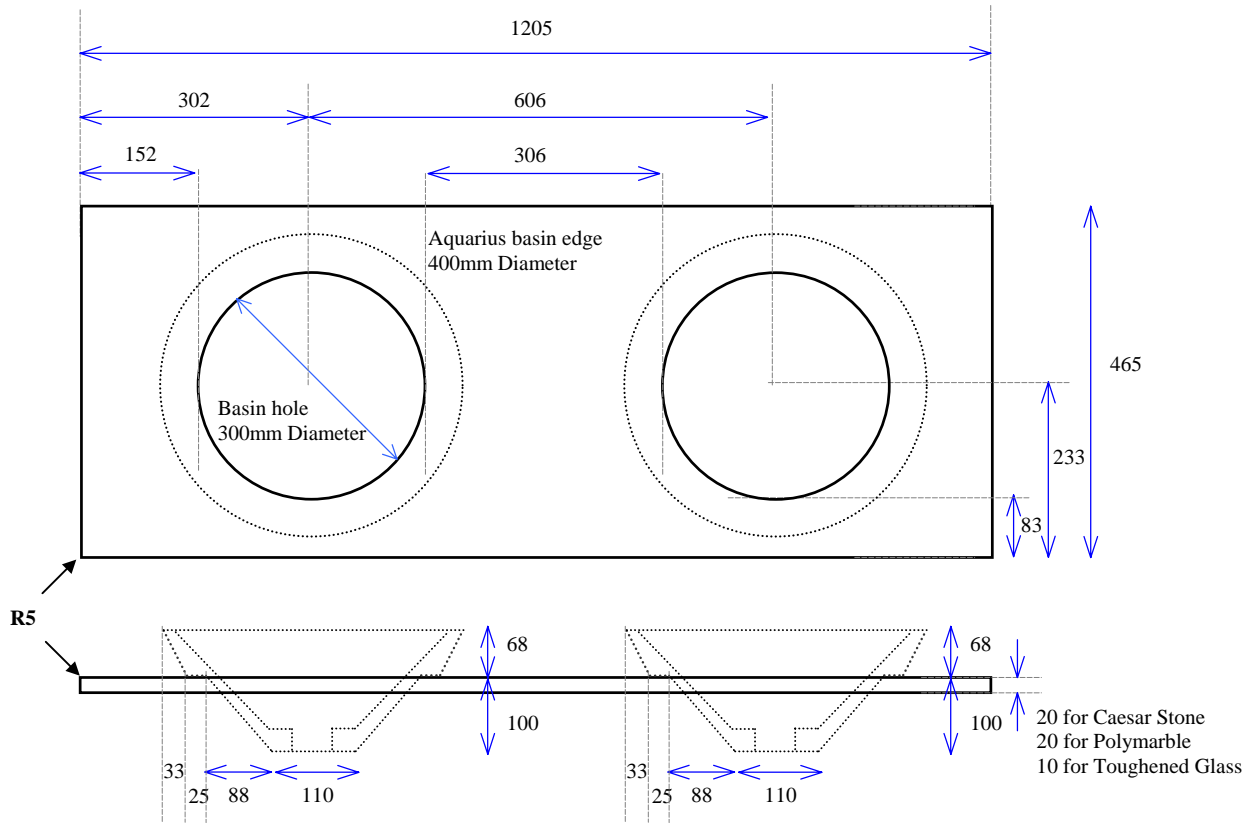


1210 Two Basin Slab



Notes:

1. All edges finished safely
2. 5mm pencil round on all exposed edges
3. Surface area = 0.418 m² (excluding basin hole)
4. Weighs 21 Kgs (20mm Caesar stone)
15 Kgs (20mm Polymarble)
10 Kgs (10mm Toughened Glass)

MODEL: 1210 Two Basin Slab

Not to Scale

ALL DIMENSIONS SHOWN IN MILLIMETERS

Specifications subject to change without notice.

All sizes are nominal within industry tolerances.

Measurements are for representation purposes only and do not constitute scale plans.