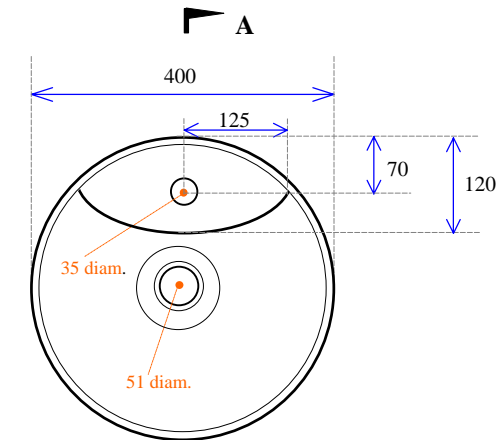
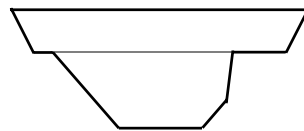


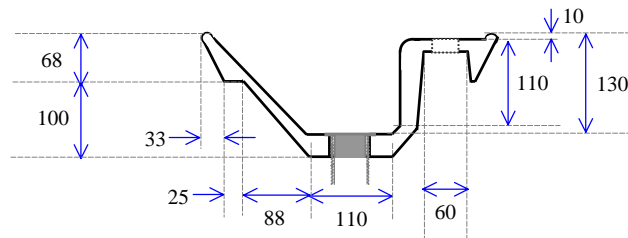
Conical Basin with Tap Pad



PLAN



END ELEVATION



Section A - A

Notes:

1. All edges finished safely
2. 51mm waste hole for 40mm waste & plug
3. Waste not supplied
4. Available with one tap hole
5. Facing thickness: Gelcoat 0.5mm
6. Weighs 7.7 Kgs (Polymarble)
7. Bowl capacity is 6 litres.
8. Paper template provided.

MODEL: Conical Basin with Tap Pad

Not to Scale

ALL DIMENSIONS SHOWN IN MILLIMETERS

Specifications subject to change without notice.

All sizes are nominal within industry tolerances.

Measurements are for representation purposes only and do not constitute scale plans.